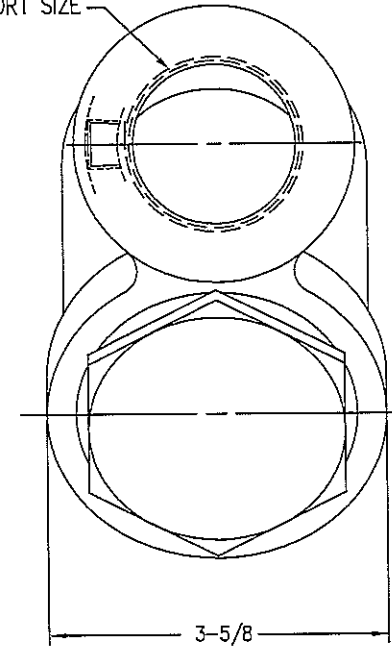


SEE CHART FOR PORT SIZE




MODEL CODE

MODEL	PORT THREADS		MICRON	SEALS	BY PASS VALVE	MAGNETS	INDICATOR
	NPT	SAE					
Y-25	NO SYMBOL 1-1/2	ST 1-7/8-12 UN-2B	595	NO SYMBOL BUNA N	2 PSI	NO SYMBOL NONE	NO SYMBOL NONE
			238				S SUCTION LINE
			149				
			74	F3 VITON	5 PSI	M MAGNETS	SM SUCTION WITH MEMORY
			40				
25		15 PSI		R RETURN LINE			

MATERIAL OF CONSTRUCTION
 HOUSING - CAST IRON EPOXY COATED
 ELEMENT - 304 STAINLESS STEEL
 ELEMENT SCREEN AREA = 84 SQ INCHES

MODEL NUMBER EXAMPLE: Y25-149-F3-3-M-S

LETTER		REVISION		BY	DATE
DO NOT SCALE DRAWING		DISC FILE DB ZIP-1		MATERIAL: SEE NOTES	
UNLESS OTHERWISE SPECIFIED DIMENSIONS ARE IN INCHES		ASSY REF.		TITLE	
TOLERANCES		DR. D BALL DATE 03-09-06		 FLOW EZY FILTERS, INC. ANN ARBOR, MICHIGAN 48106	
3 PLACE DEC. ±	2 PLACE DEC. ±	OTHER ±	ANGULAR ±		
MACHINED SURFACES ✓		DEBURR ALL EDGES .002 TO .007 FILLETS .01 TO .02 RADIUS		DRAWING NO. 10061-CR	
		DATE			
		SCALE			