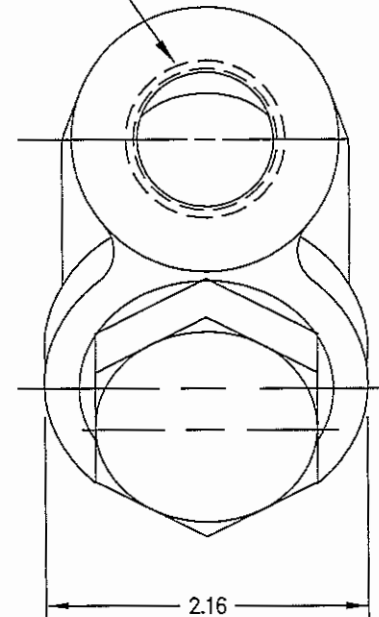


SEE CHART FOR
PORT SIZE



MODEL CODE

MODEL	PORT THREADS		MICRON	SEALS	BY PASS VALVE	INDICATOR
	NPT	SAE				
Y-6 CAST IRON	NO SYMBOL 3/4	ST 1-3/16-12 UN-2B	595	NO SYMBOL BUNA N	2 PSI	NO SYMBOL NONE
			238			
			149			
			74			
Y-6-SS STAINLESS STEEL	1/2 1/2" REDUCER BUSHING INSTALLED	ST 1-3/16-12 UN-2B	40	F3 VITON	5 PSI 15 PSI	SUCTION WITH MEMORY SM R RETURN LINE
			25			

MODEL NUMBER EXAMPLE: Y6-149-F3-3-SM

MATERIAL OF CONSTRUCTION:
HOUSING - CAST IRON (E-COATED)
OR 316 STAINLESS STEEL
ELEMENT - 304 STAINLESS STEEL
ELEMENT SCREEN AREA = 17 SQ INCHES

UNLESS OTHERWISE SPECIFIED DIMENSIONS ARE IN INCHES		TOLERANCES		DR. D BALL DATE		MATERIAL SEE NOTES		TITLE	
3 PLACE DEC. ±	2 PLACE DEC. ±	OTHER ± 1/16	ANGULAR ± 1°	10-12-05		FLOW EZY FILTERS, INC.		Y-6 FILTER OUTLINE	
MACHINED SURFACES ✓		DEBURR ALL EDGES .002 TO .007 FILLETS .01 TO .02 RADIUS		CHL. DATE		ANN ARBOR, MICHIGAN 48106		ITEM NO. DRAWING NO. 10090-CR	
DISC FILE DB ZIP-1		ASS'Y REF.		SCALE		BY		DATE	
SHEET OF		REV.							